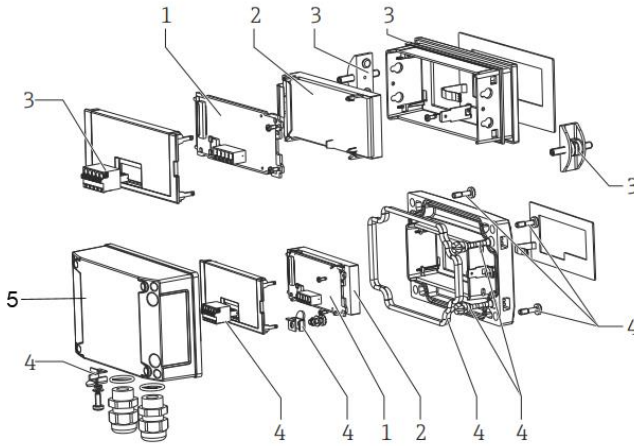
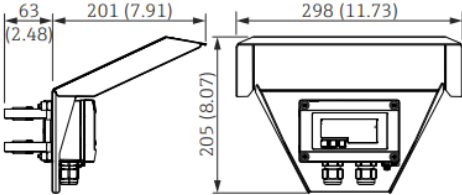
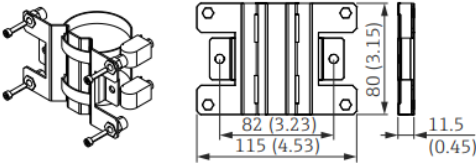
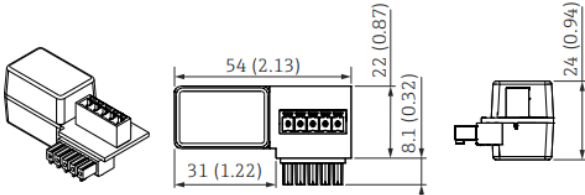
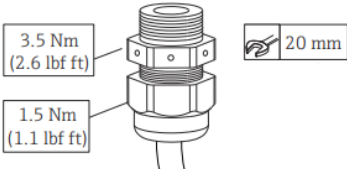


RIA15 Spare parts



Pos- Nr.	Original spare part set	Order number
1	Mainbord HART Mainbord HART with option Mainbord HART with option	XPR0005-ABA XPR0005-ACA XPR0005-ADA
2	LCD-Model	XPR0006-A1
3	Small parts set for panel mounting enclosures	XPR0006-A2
4	Small parts set for field housing	XPR0006-A3
4	cable gland with integrated pressure compensation diaphragm (for FMX21)	RK01-BD
5	Field housing, plastic, conductive	XPR0006-A4

RIA15 Spare parts RK01-

<p>RK01-BB RIA15-xxx+PC Material (304/1.4301)</p>	 <p>23</p>
<p>Material: SS 316L RK01-BA RIA15-xx+PB</p>	 <p>24</p>
<p>HART®-Kommunikationswiderstandsmodul RK01-BC RIA15-xxx+PD</p>	 <p>25</p>
<p>M16 RK01-AA RK01-AC RK01-BD RIA15-xxx+NA</p>	 <p>3.5 Nm (2.6 lbf ft)</p> <p>1.5 Nm (1.1 lbf ft)</p> <p>20 mm</p>