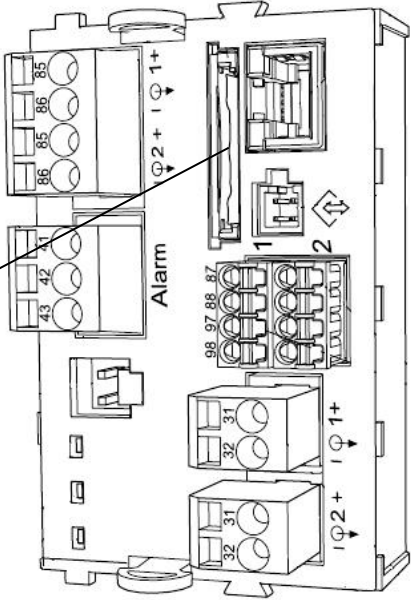
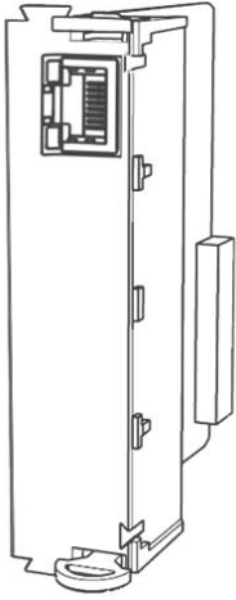


Spare parts CA82HA:
Overview plug-in modules

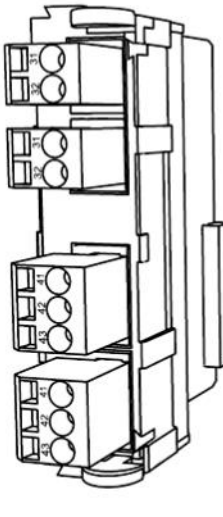
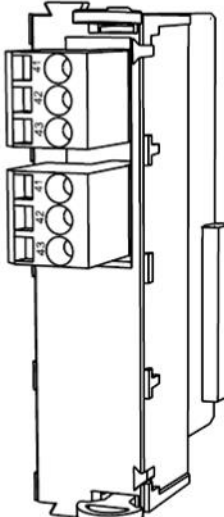
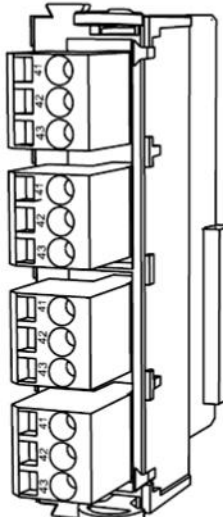
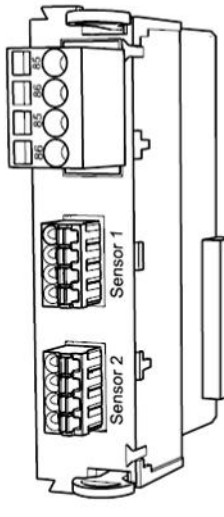
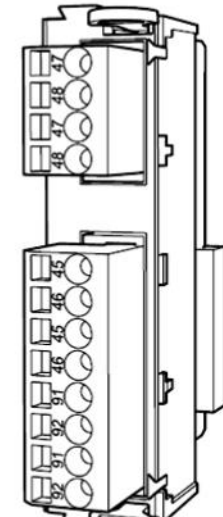
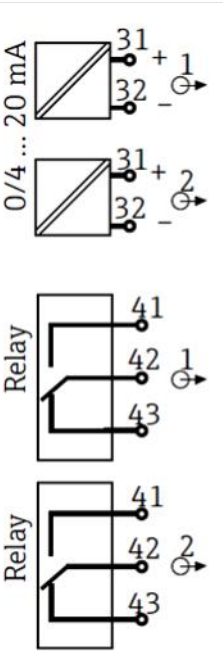
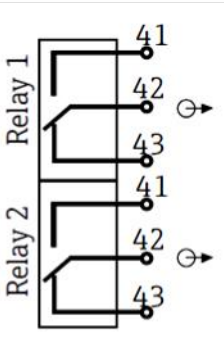
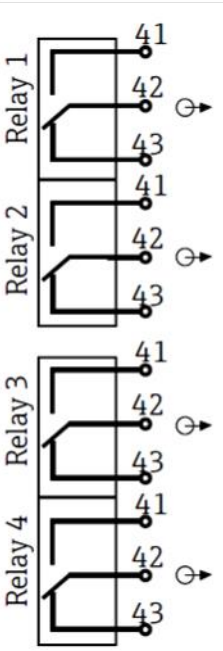
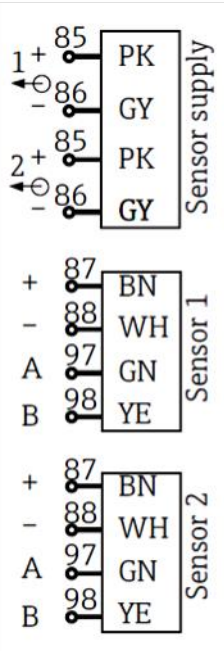
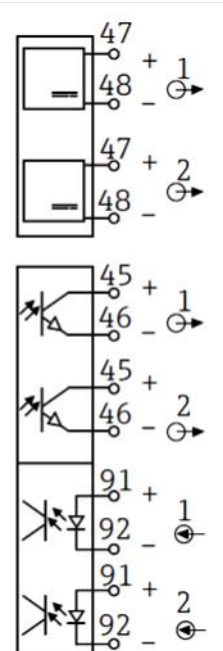
Ersatzteile CA82HA:
Übersicht Steckmodule

SD memory card
SD-Speicherkarte

ID No. / module name 304 / BASE E module or BASE2-E module	ID No. / module name 146 / FIDS1 module or FIDS1 module V2
	
<ul style="list-style-type: none"> • Basic module • 24 VDC power supply input • Order No. BASE-E: 71239305 • Order No. BASE2-E: 71431302 	<ul style="list-style-type: none"> • Interface module CM44 • Link CM44 ↔ CA80xx • Order No.: 71218507 • Order No. V2: 71465480
<p> Sensor supply PK 85 + 1 GY 86 - PK 85 + 2 GY 86 - </p> <p> Alarm 41 42 43 </p> <p> Power 24 VDC (internal) 24 V 12.5 V 3.3 V </p> <p> HART 31 + 32 - 0/4 ... 20 mA </p> <p> Sensor 1 87 + BN 2 87 + BN 88 - WH 88 - WH 97 A GN 97 A GN 98 B YE 98 B YE </p> <p> Service Display Service </p>	

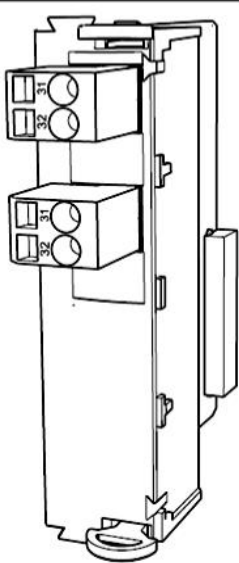
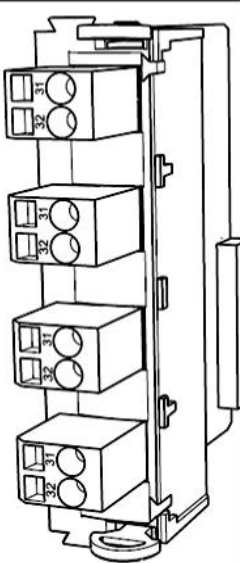
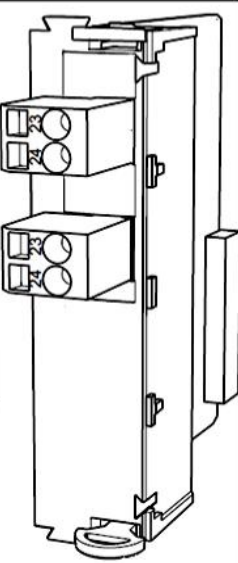
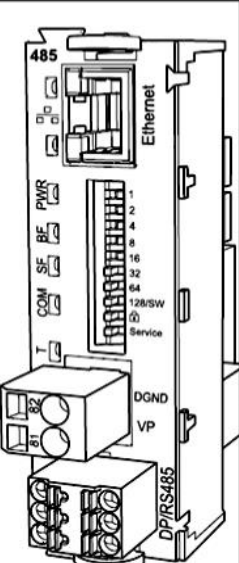
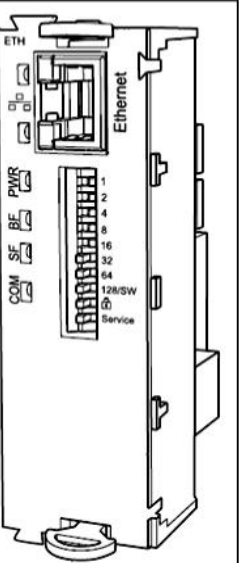
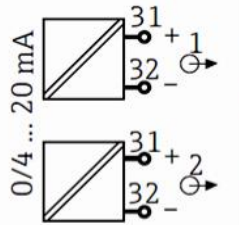
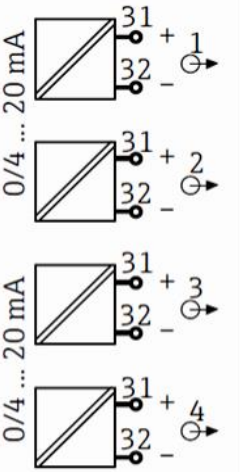
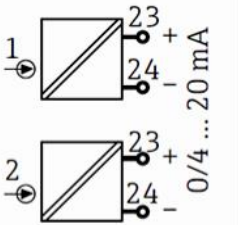
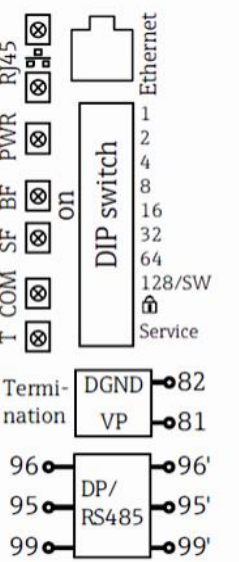
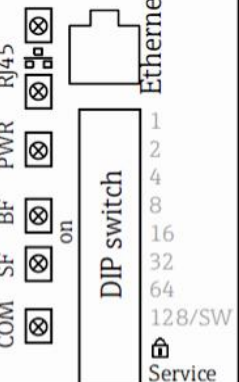
Spare parts CA82HA:
Overview plug-in modules

Ersatzteile CA82HA:
Übersicht Steckmodule

ID No. / module name				
253 / AOR	254 / 2R	255 / 4R	251 / 2DS	252 / DIO
				
<ul style="list-style-type: none"> 2 x 0/4 to 20mA analog outputs 2 relays Order No. 71111053 	<ul style="list-style-type: none"> 2 relays Order No. 71125375 	<ul style="list-style-type: none"> 4 relays Order No. 71125376 	<ul style="list-style-type: none"> 2 digital sensor inputs 2 power supply systems for digital sensors Order No. 71135631 	<ul style="list-style-type: none"> 2 digital inputs 2 digital outputs with auxiliary voltage Order No. 71135638
 <p>0/4 ... 20 mA</p> <p>Relay</p> <p>Relay</p>	 <p>Relay 1</p> <p>Relay 2</p>	 <p>Relay 1</p> <p>Relay 2</p> <p>Relay 3</p> <p>Relay 4</p>	 <p>Sensor supply</p> <p>Sensor 1</p> <p>Sensor 2</p>	

Spare parts CA82HA: Overview plug-in modules

Ersatzteile CA82HA: Übersicht Steckmodule

ID No. / module name				
256 / 2AO	257 / 4AO	258 / 2AI	260 / 485	259 / ETH
				
<ul style="list-style-type: none"> 2 x 0/4 to 20mA analog outputs Order No. 71135632 	<ul style="list-style-type: none"> 4 x 0/4 to 20mA analog outputs Order No. 71135633 	<ul style="list-style-type: none"> 2 x 0/4 to 20mA analog inputs Order No. 71135639 	<ul style="list-style-type: none"> Ethernet (web server or Modbus TCP) Order No. 71135634 	<ul style="list-style-type: none"> Web server and Ethernet/IP or Modbus TCP Order No. 71272410
 <p>0/4 ... 20 mA</p>	 <p>0/4 ... 20 mA</p>	 <p>0/4 ... 20 mA</p>	 <p>Termination</p>	

NOTICE

For modules not listed here, please pay attention to the printed name on the module front. If necessary, ask your E+H service for more information.