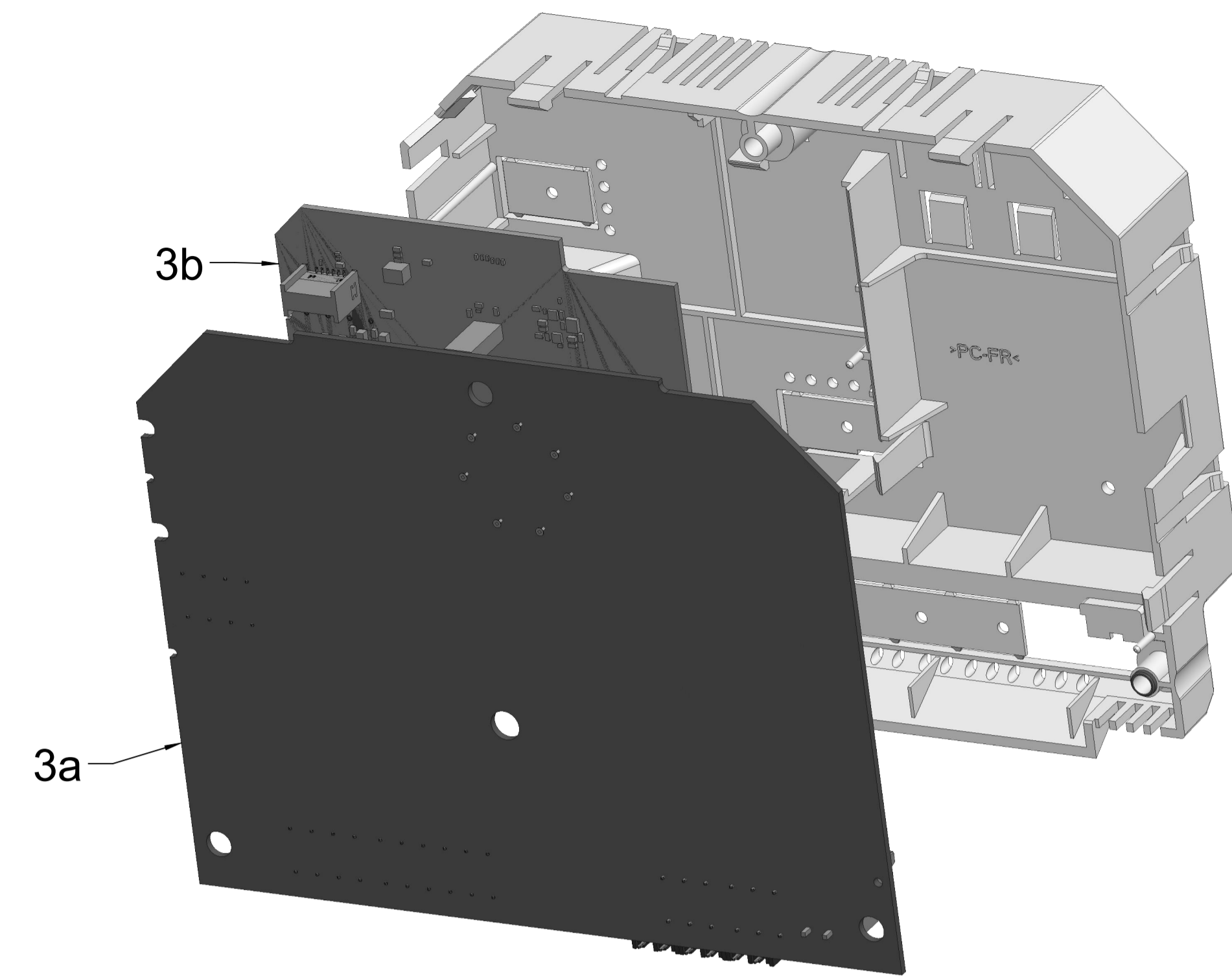
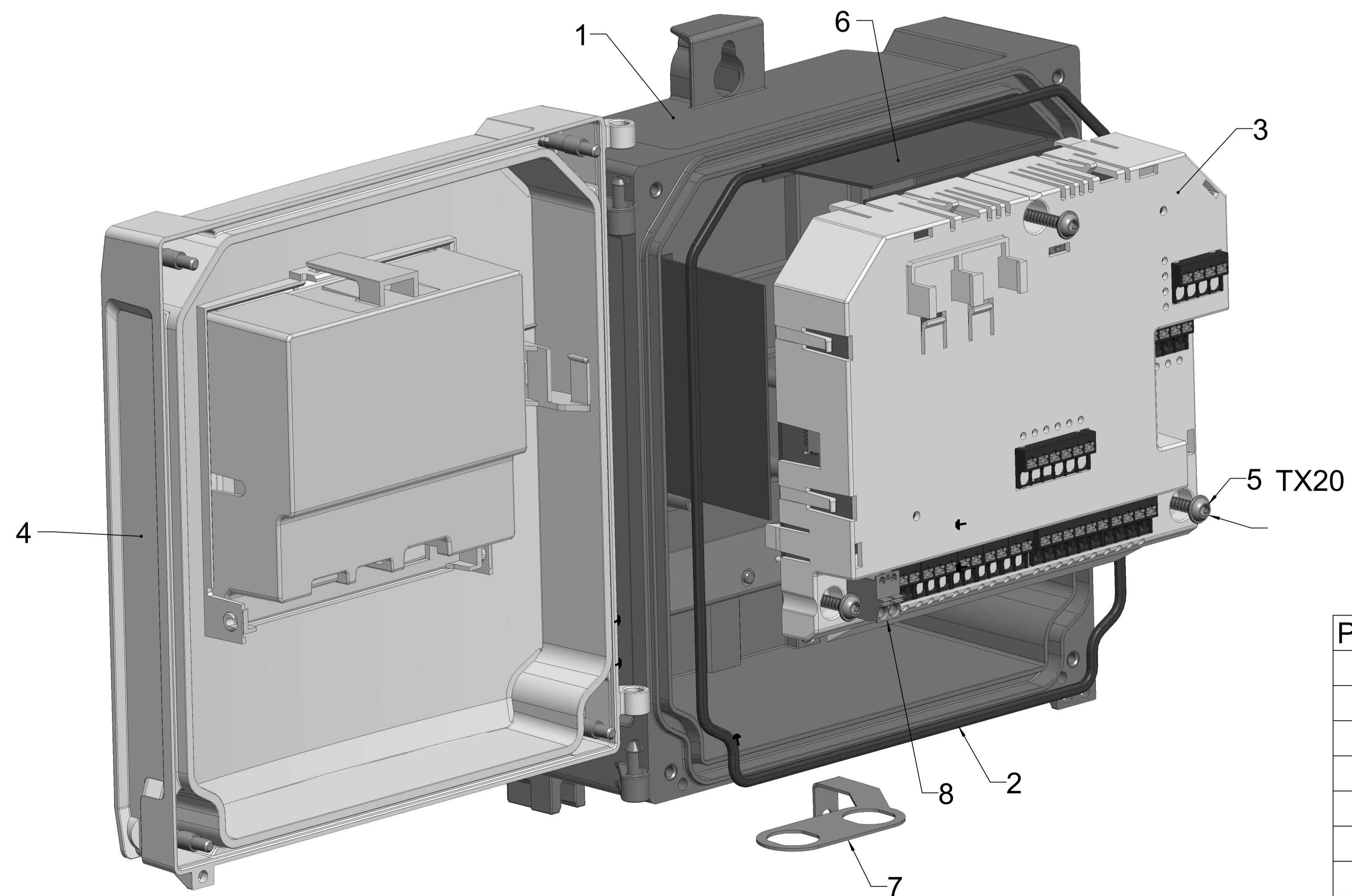


4



3



Pos.	Qty.	Title
1	1	Field housing
2	1	Sealing
3	1	Mainboard and IO Card
4	1	Front cover
5	3	Screw set
6	2	Cooling angle
7	1	Ground plate Ethernet