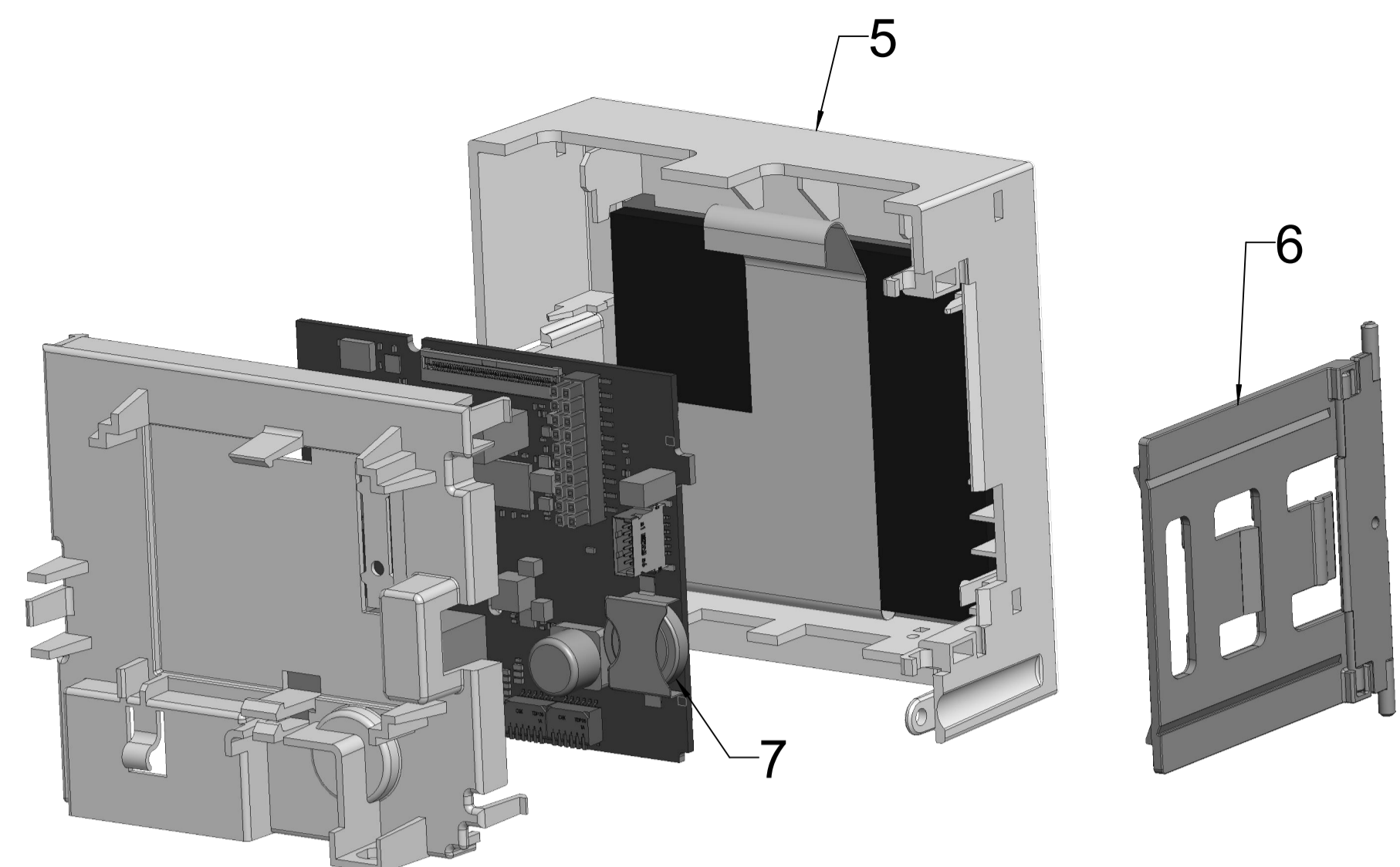
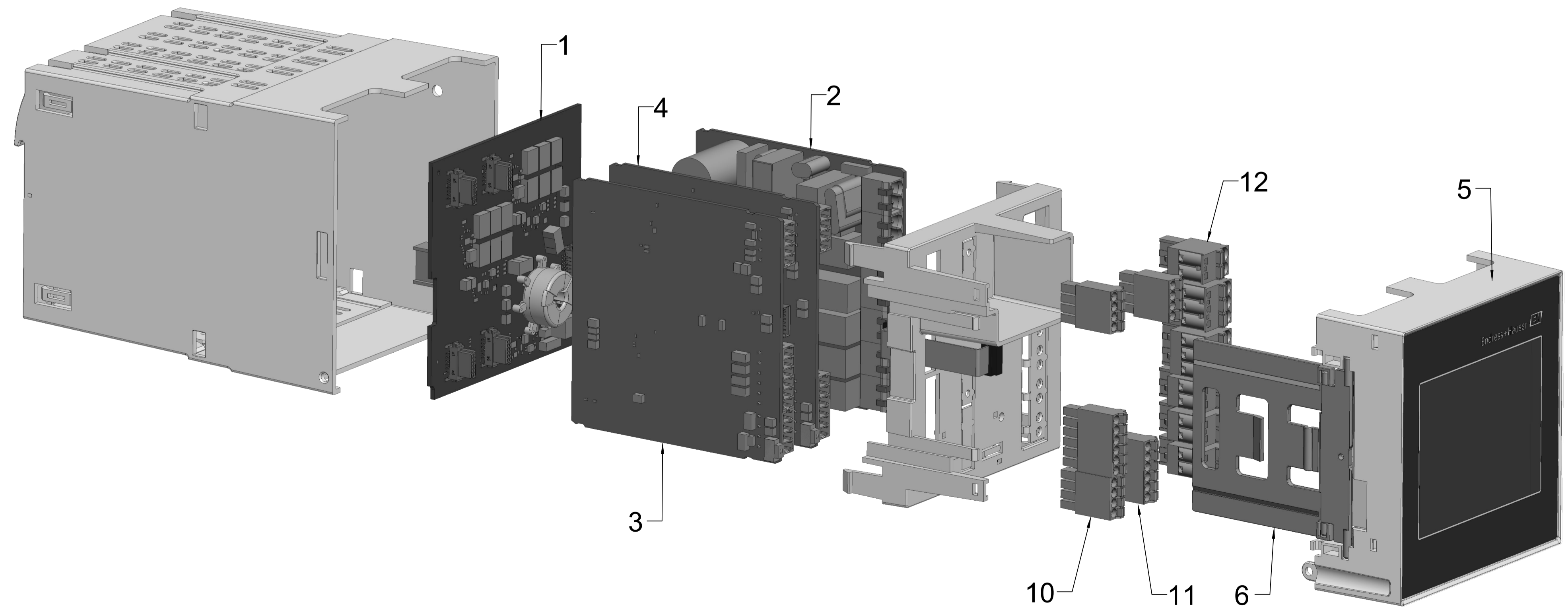
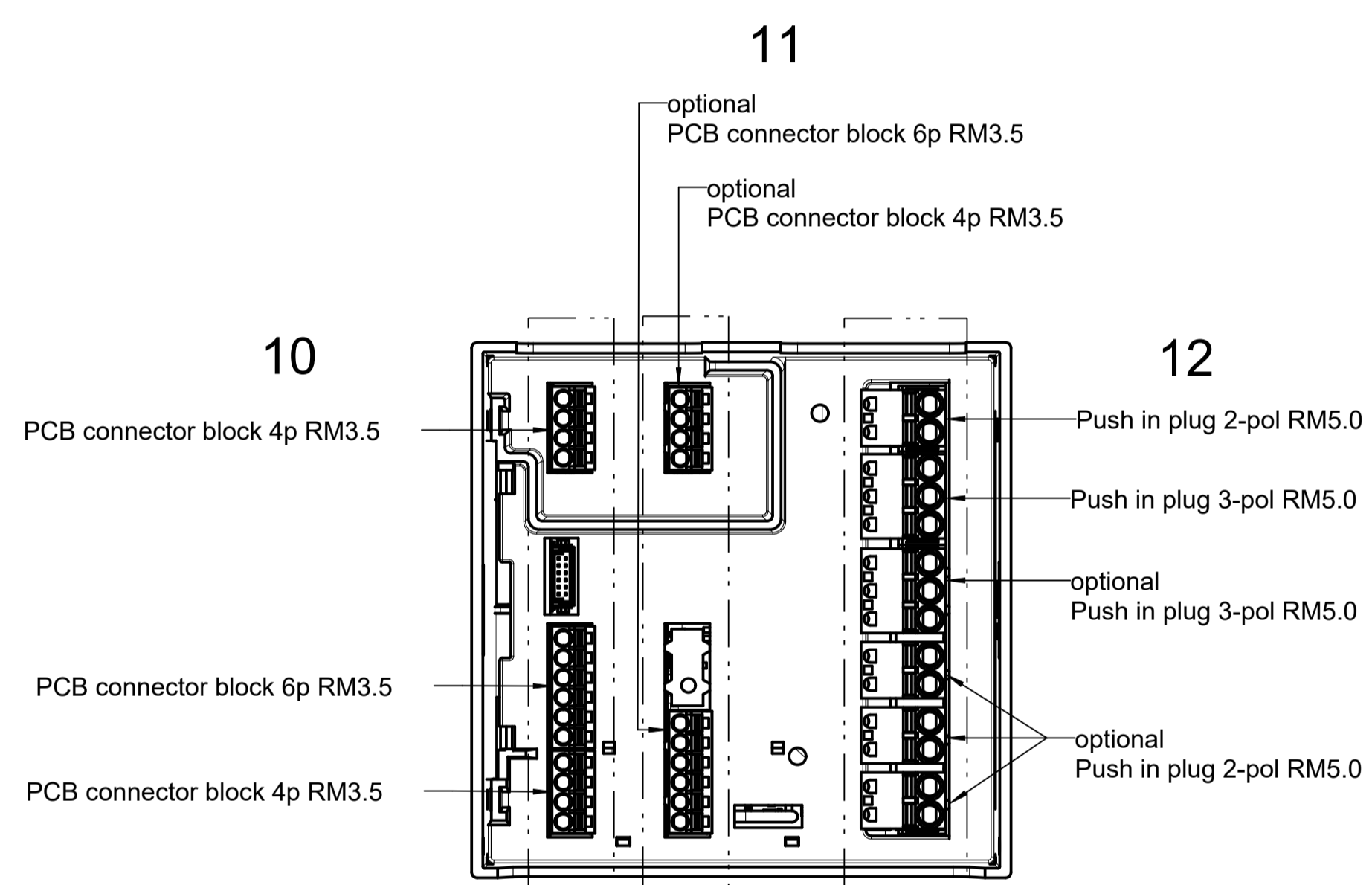
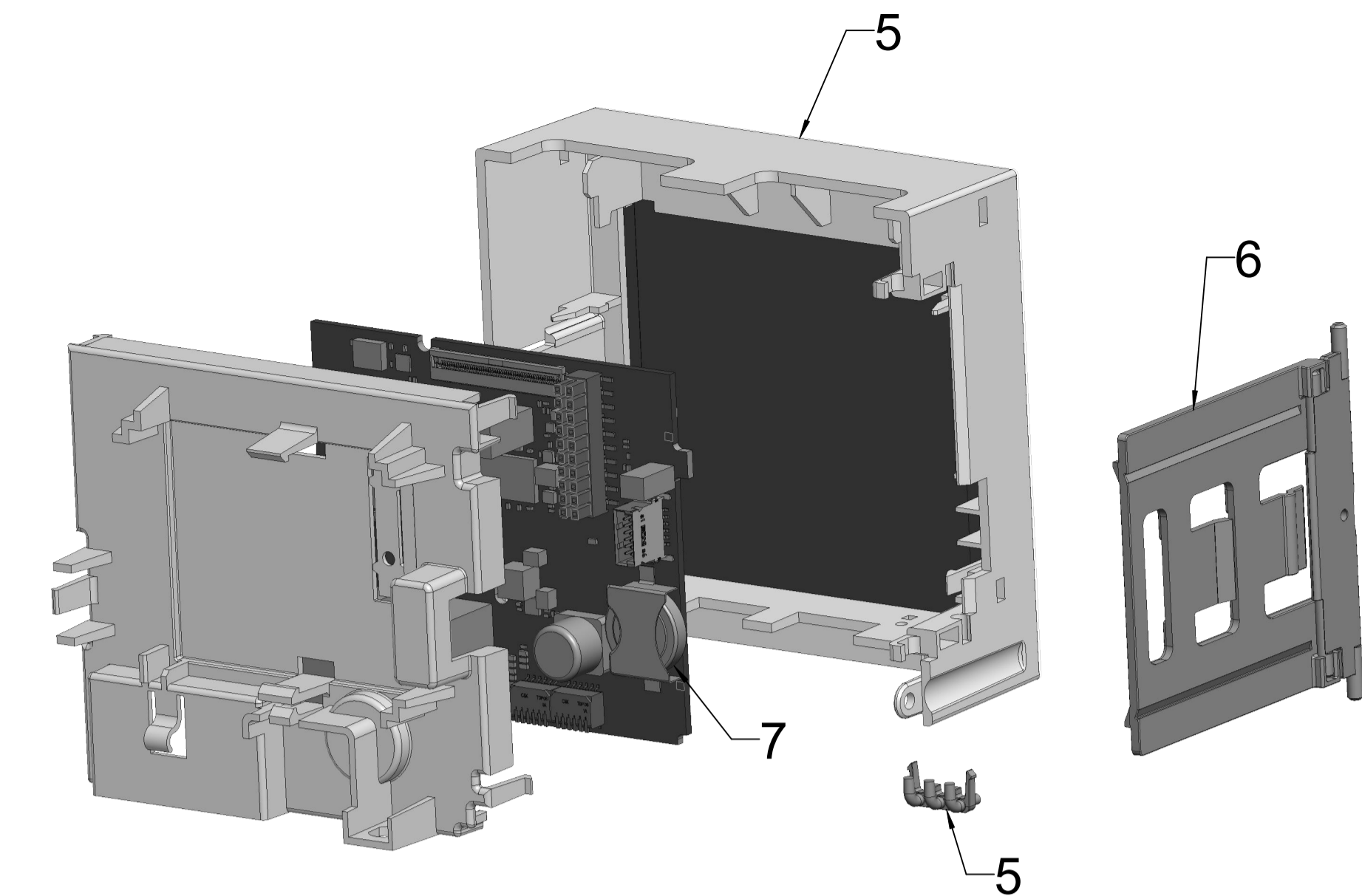


Displayunit with Touch Display



Displayunit without Display



Pos.	Qty.	Title
1	1	Bus board DINRail
2	1	Power board DINRail
3	1	Standard IO DINRail
4	1	Option IO DINRail
5	1	Front DINRail