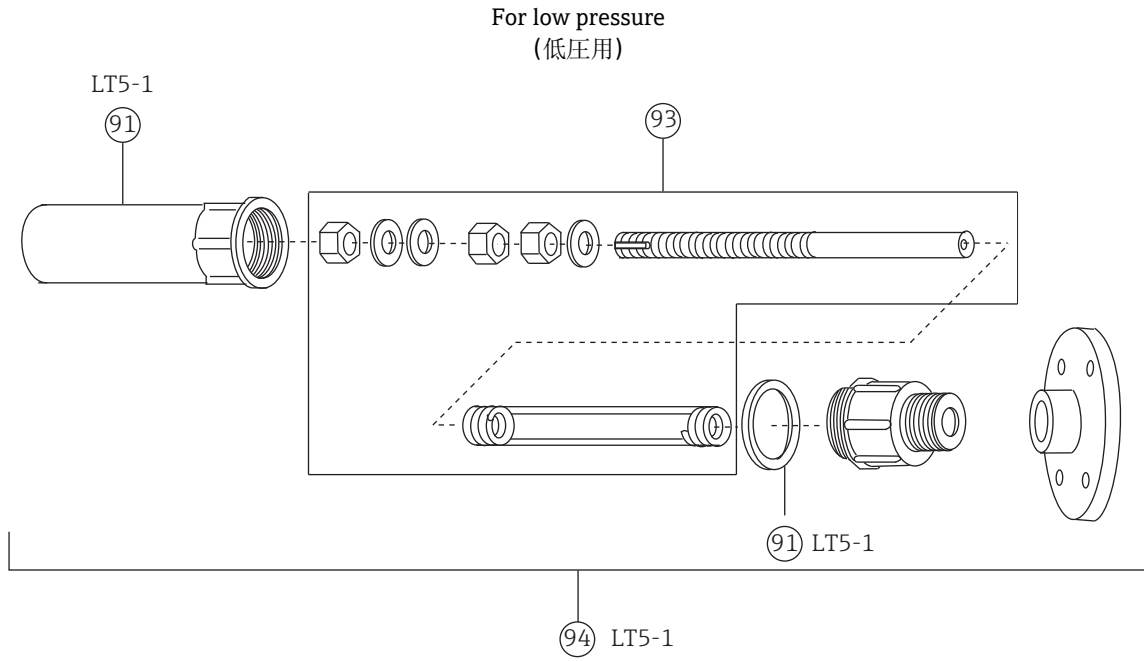
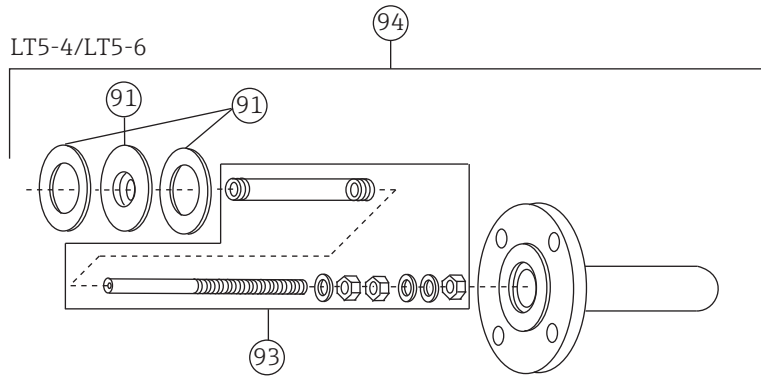


Top anchor



For Middle/High pressure & SUS Low pressure  
(中高压用)



Valve

